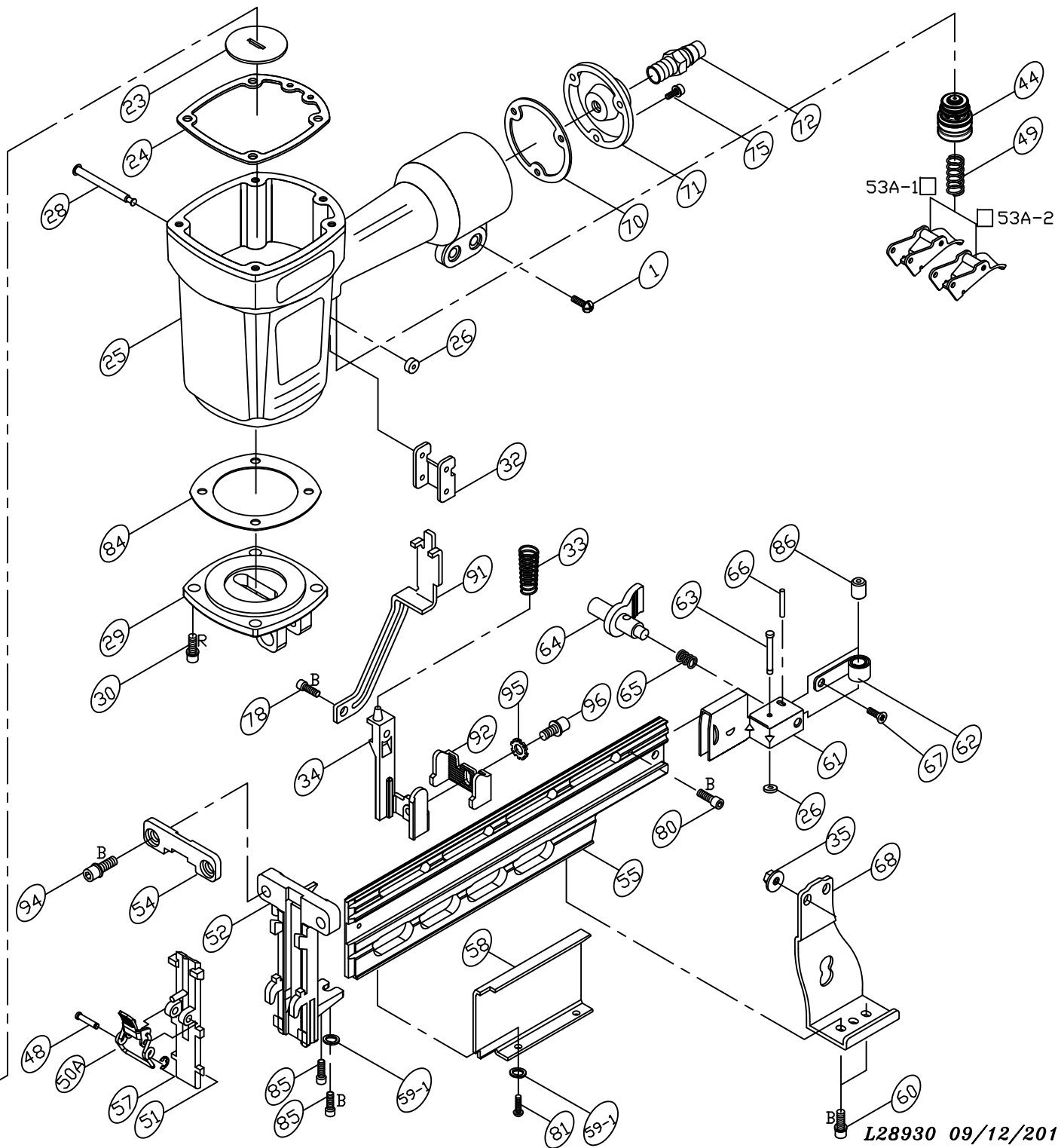
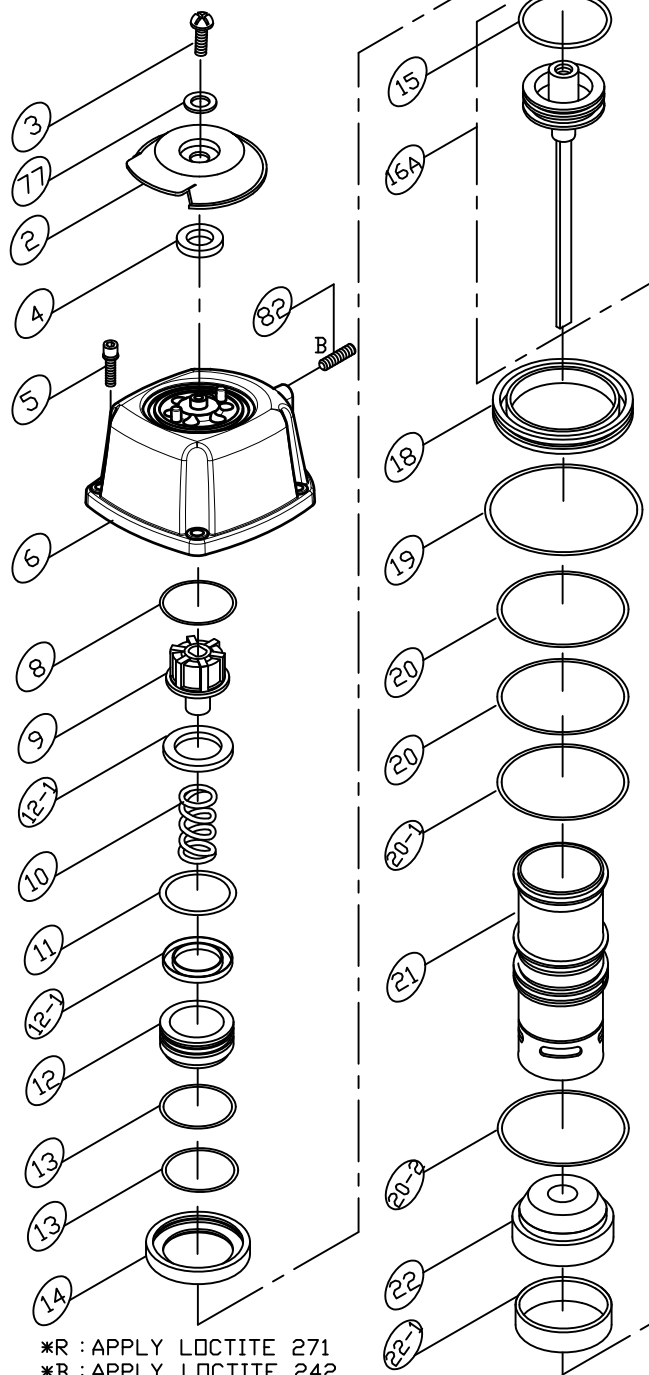


MODEL : LU-851F2



*R : APPLY LOCTITE 271
 *B : APPLY LOCTITE 242

PARTS LIST (LU-851F2)

***WHEN ORDERING SPARE PARTS, PLEASE STATE ITEM No, PART NO. AND DESCRIPTION.**

ITEM	PART NO	DESCRIPTION	QTY	ITEM	PART NO	DESCRIPTION	QTY	ITEM	PART NO	DESCRIPTION	QTY
01	US06100B-20	UM.HD.BOLT	2	35	LN0600NB	LOCK NUT	2	86	15308601	ROLLER	1
02	15100202	EXHAUST COVER	1	44	15104401A	SWITCH ASSEMBLY	1	91	25209101	UPPER SAFETY LEVER	1
03	US05080L-20	UM.HD.BOLT	1	48	15304801	STEPPED PIN	1	92	25209201	SAFETY ADJUSTING LEVER	1
04	15300401	PU RING	1	49	16305401	SPRING	1	94	HS06100B-20	HEX.SOC.HD.BOLT	2
05	HS06100LW-25	HEX.SOC.HD.BOLT+SW	4	50A	25205001A	LATCH	1	95	25209401	STAR WASHER	1
06	15100601	CAP	1	51	25205101	DRIVER GUIDE COVER	1	96	HS05080L-08	HEX.SOC.HD.BOLT	1
08	15100801	SPACER	1	52	25905202	NOSE	1				
09	15100901	PISTON STOPPER**	1	53A-1	25205301A	SEQUENTIAL FIRE TRIGGER	1				
10	15101001	SPRING**	1	53A-2	25205302A	BUMP FIRE TRIGGER	1				
11	OR41630N	O RING**	1	54	25205401	SET PLATE	1				
12	15101202	PISTON HEAD VALVE	1	55	25905501	MAGAZINE	1				
12-1	15100401	SPACER	2	57	ER0300R	E RING	1				
13	OR52126N	O RING	2	58	25905801	COVER	1				
14	15101401	SEAL	1	59-1	SW0500W	SPRING WASHER	4				
15	OR40735N	O RING**	1	60	HS05080LW-12	HEX.SOC.HD.BOLT+SW	2				
16A	26001603A	DRIVER ASSEMBLY	1	61	25206101	PUSHER	1				
18	15301801	CYLINDER SPACER	1	62	15306201	SPRING**	1				
19	OR74431N	O RING	1	63	12105802	SHAFT	1				
20	OR53726N	O RING**	2	64	15306403	STOPPER	1				
20-1	OR47735N	O RING**	1	65	12103901	SPRING	1				
20-2	OR49735N	O RING**	1	66	RP3016S	ROLLED PIN	1				
21	15302101	CYLINDER	1	67	FH04070L-05	FLAT.HD.BOLT	1				
22	15102202	BUMPER**	1	68	15306802	BRACKET	1				
22-1	15102203	COLLAR	1	70	15107001	GASKET	1				
23	15302301	WASHER	1	71	15107101	END CAP	1				
24	15102401	GASKET**	1	72	12106401	AIR PLUG	1				
25	15102501	BODY	1	75	HS05080BW-16	HEX.SOC.HD.BOLT+SW	3				
26	16103001	PU RING**	4	77	FW050130B-10	FLAT WASHER	1				
28	16102902	STEPPED PIN	3	78	HS05080BW-08	HEX.SOC.HD.BOLT+SW	1				
29	25202901	BOTTOM	1	80	HS04070B-06	HEX.SOC.HD.BOLT	1				
30	HS06100BW-20	HEX.SOC.HD.BOLT+SW	4	81	US05080L-12	UM.HD.BOLT**	2				
32	25203201	GUIDE SAFETY LEVER	1	82	SS06100B-06	SET SCREW	1				
33	25203301	COMPRESSION SPRING	1	84	15108402	GASKET**	1				
34	25203401	SAFETY LEVER	1	85	HS05080L-12	HEX.SOC.HD.BOLT	2				