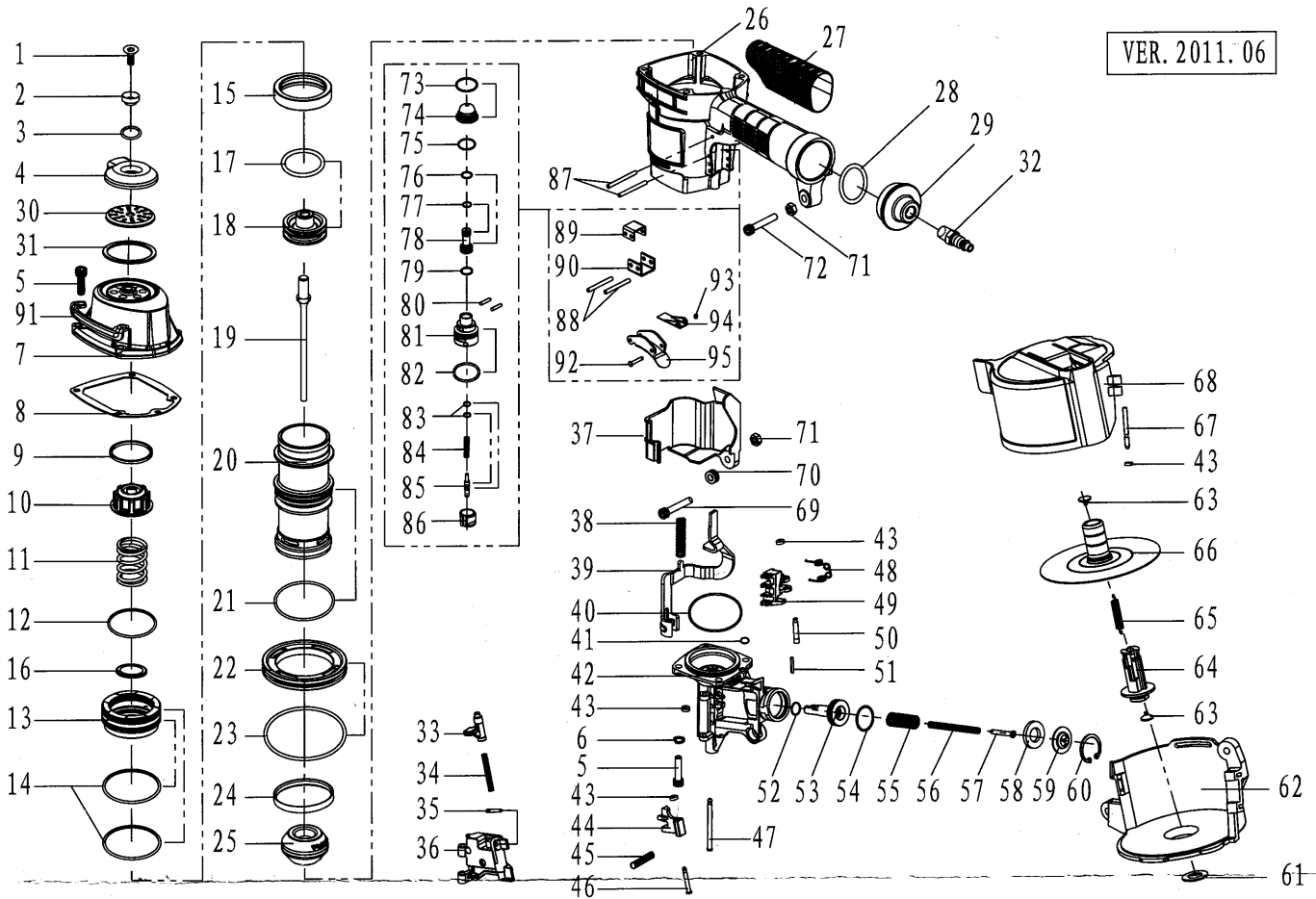


CN55 COIL NAILER EXPLODED VIEW DRAWING

VER. 2011.06



PARTS LIST FOR COIL NAILER MODEL: CN55

| No. | Description | Qty | No. | Description | Qty | No. | Description | Qty | No. | Description | Qty |
|-----|-----------------------|-----|-----|----------------------|-----|-----|----------------------|-----|----------------|-----------------------|-----|
| 1 | Screw M8X20 | 1 | 26 | Body | 1 | 51 | Spring Step Pin 3X16 | 76 | 0-Ring 6.8X1.9 | 1 | |
| 2 | Exhaust Cover Bushing | 1 | 27 | Grip | 1 | 52 | 0-Ring 9.8X2.4 | 1 | 77 | 0-Ring 5.7X2 | 1 |
| 3 | 0-Ring 11.7X2.5 (内) | 1 | 28 | 0-Ring 32.3X3.0 | 1 | 53 | Feed Piston | 1 | 78 | Pilot Valve | 1 |
| 4 | Exhaust Cover | 1 | 29 | End Cap | 1 | 54 | 0-Ring 20.8X2.4 | 1 | 79 | 0-Ring 8.5X2 | 1 |
| 5 | Screw M6X25 | 8 | 30 | Exhaust Filter | 1 | 55 | Compression Spring | 1 | 80 | Straight Pin | 2 |
| 6 | Washer 6 | 4 | 31 | Exhaust Cover Seal | 1 | 56 | Compression Spring | 1 | 81 | Trigger Valve Housing | 1 |
| 7 | Cylinder Cap Unit | 1 | 32 | Air Plug | 1 | 57 | Spring Guide | 1 | 82 | 0-Ring 19.8X2.4 | 1 |
| 8 | Cylinder Cap Seal | 1 | 33 | Door Latch | 1 | 58 | Feed Piston Stop | 1 | 83 | 0-Ring 2.5X1.4 | 2 |
| 9 | Spacer Exhaust | 1 | 34 | Compression Spring | 1 | 59 | Spring Collar | 1 | 84 | Compression Spring | 1 |
| 10 | Piston Stop | 1 | 35 | Spring Step Pin 3X12 | 1 | 60 | Retaining Ring C26 | 1 | 85 | Trigger Valve Stem | 1 |
| 11 | Compression Spring | 1 | 36 | Door | 1 | 61 | Post Retainer | 1 | 86 | Trigger Valve Cap | 1 |
| 12 | 0-Ring 41.5X2.6 | 1 | 37 | Contact Arm Cover | 1 | 62 | Magazine | 1 | 87 | Roll Pin 3X30 | 2 |
| 13 | Head Valve Piston | 1 | 38 | Compressing Spring | 1 | 63 | Receiver Spring | 2 | 88 | Roll Pin 3X26 | 2 |
| 14 | 0-Ring 52.07X2.62 | 2 | 39 | Contact Arm | 1 | 64 | Magazine Post | 1 | 89 | Contact Arm 02 | 1 |
| 15 | Cylinder Seal | 1 | 40 | 0-Ring 47X1.9 | 1 | 65 | Tension Spring | 1 | 90 | Contact Arm 01 | 1 |
| 16 | Head Valve Washer | 1 | 41 | 0-Ring 4.2X1.6 | 1 | 66 | Nail Support | 1 | 91 | Protector | 2 |
| 17 | 0-Ring 37.7X3.5 | 1 | 42 | Nose | 1 | 67 | Step Pin | 1 | 92 | Step Pin 3X16.3 | 1 |
| 18 | Piston | 1 | 43 | Rubber Washer 7 | 4 | 68 | Magazine Cover | 1 | 93 | 0-Ring 1.2X1.9 | 1 |
| 19 | Driver | 1 | 44 | Check Pawl | 1 | 69 | Screw M6X35 | 1 | 94 | Contact Lever | 1 |
| 20 | Cylinder | 1 | 45 | Compression Spring | 1 | 70 | Collar | 1 | 95 | Trigger | 1 |
| 21 | 0-Ring 49.1X2.5 | 1 | 46 | Step Pin | 1 | 71 | Elastic Stop Nut M6 | 2 | | | |
| 22 | Bottom Support Collar | 1 | 47 | Step Pin | 1 | 72 | Screw M6X30 | 1 | | | |
| 23 | 0-Ring 54X3.5 | 1 | 48 | Torsion Spring | 1 | 73 | 0-Ring 15.2X1.9 | 1 | | | |
| 24 | Check Valve | 1 | 49 | Feed Pawl | 1 | 74 | Spacer | 1 | | | |
| 25 | Bumper | 1 | 50 | Step Pin | 1 | 75 | 0-Ring 11.5X2 | 1 | | | |