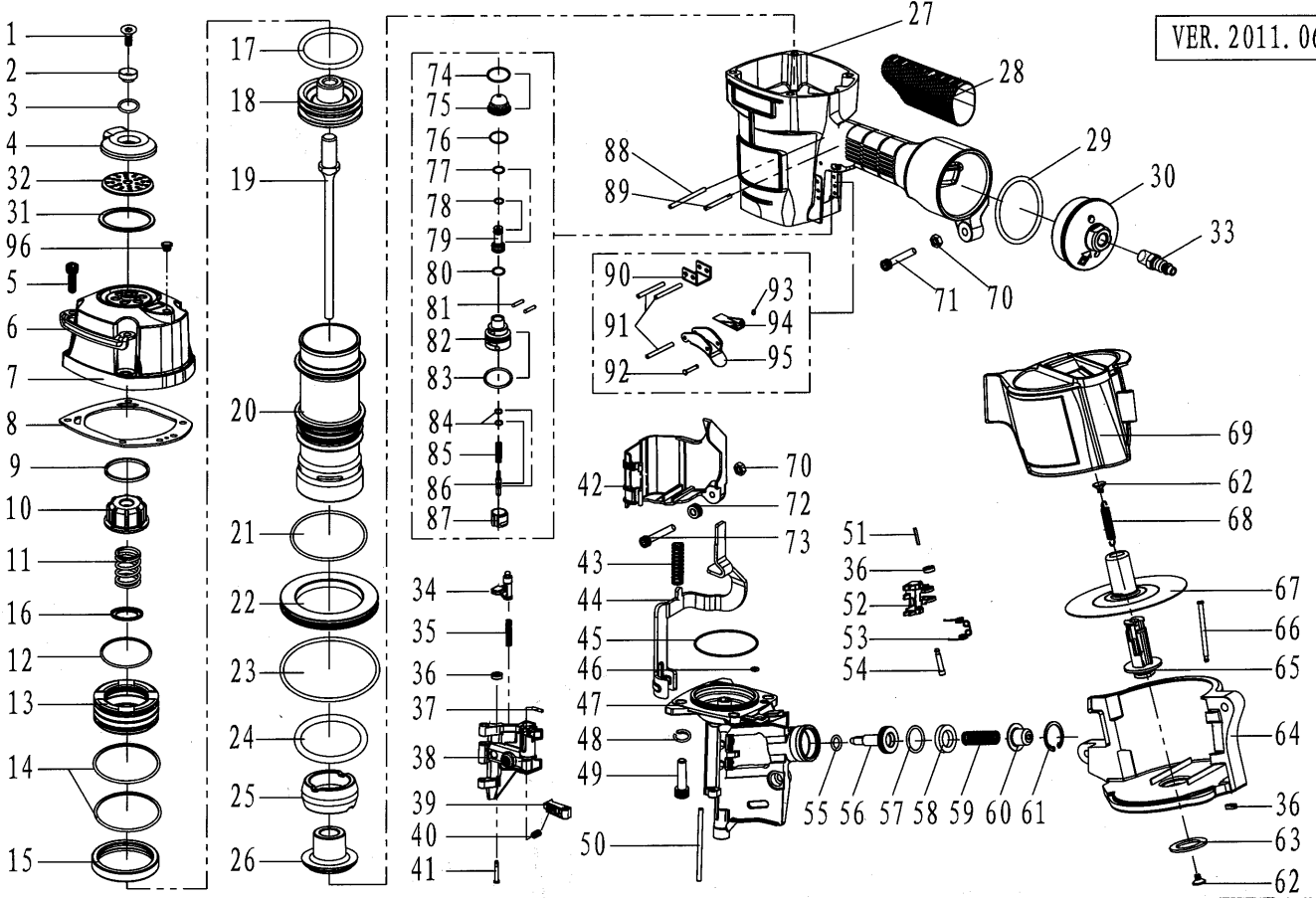


CN80 COIL NAILER EXPLODED VIEW DRAWING

VER. 2011.06



PARTS LIST FOR COIL NAILER MODEL: CN80

No.	Description	Qty	No.	Description	Qty	No.	Description	Qty	No.	Description	Qty
1	Screw M8X20	1	26	Bottom Bumper	1	51	Roll Pin 3X16	1	76	O-Ring 11.5X2	1
2	Exhaust Cover Bushing	1	27	Body	1	52	Feed Pawl	1	77	O-Ring 6.8X1.9	1
3	O-Ring 11.7X2.5 (内)	1	28	Grip	1	53	Torsion Spring	1	78	O-Ring 5.7X2	1
4	Exhaust Cover	1	29	O-Ring 51.6X3	1	54	Step Pin	1	79	Pilot Valve	1
5	Screw M6X30	4	30	End Cap	1	55	O-Ring 9.8X1.9	1	80	O-Ring 8.5X2	1
6	Protector	2	31	Exhaust Cover Seal	1	56	Feed Piston	1	81	Straight Pin	2
7	Cylinder Cap Unit	1	32	Exhaust Filter	1	57	O-Ring 20.8X2.4	1	82	Trigger Valve Housing	1
8	Cylinder Cap Seal	1	33	Air Plug	1	58	Feed Piston Stop	1	83	O-Ring 19.8X2.4	1
9	Spacer Exhaust	1	34	Door Latch	1	59	Compression Spring	1	84	O-Ring 2.5X1.4	2
10	Piston Stop	1	35	Compression Spring	1	60	Spring Collar	2	85	Compression Spring	1
11	Compression Spring	1	36	Rubber Washer 7	3	61	Retaining Ring C26	1	86	Trigger Valve Stem	1
12	O-Ring 41.6X3	1	37	Roll Pin 3X12	1	62	Receiver Spring	1	87	Trigger Valve Cap	1
13	Head Valve Piston	1	38	Door	1	63	Post Retainer	1	88	Roll Pin 3X30	1
14	O-Ring 56.5X3.1	2	39	Check Pawl	1	64	Magazine	1	89	Roll Pin 3X23	1
15	Cylinder Seal	1	40	Compression Spring	1	65	Magazine Post	1	90	Contact Arm	1
16	Head Valve Washer	1	41	Step Pin	1	66	Step Pin	1	91	Roll Pin 3X25	3
17	O-Ring 43X4.9	1	42	Contact Arm Cover	1	67	Nail Support Unit	1	92	Step Pin 3X16.7	1
18	Piston	1	43	Compressing Spring	1	68	Tension Spring	1	93	O-Ring 1.2X1.9	1
19	Driver	1	44	Contact Arm	1	69	Magazine Cover	1	94	Contact Lever	1
20	Cylinder	1	45	O-Ring 46.8X1.6	1	70	Elastic Stop Nut M6	2	95	Trigger	1
21	O-Ring 57X3	1	46	O-Ring 4.2X1.6	1	71	Screw M6X40	2	96	Grommet	1
22	Bottom Support Collar	1	47	Nose	1		Collar	1			
23	O-Ring 68X3.6	1	48	Washer 8	4	72	Plain Washer	1			
24	O-Ring 55.6X5.7	1	49	Screw M8X30	4	73	Plain Washer	1			
25	Top Bumper	1	50	Straight Pin	1	74	O-Ring 15.2X1.9	1			
						75	Spacer	1			