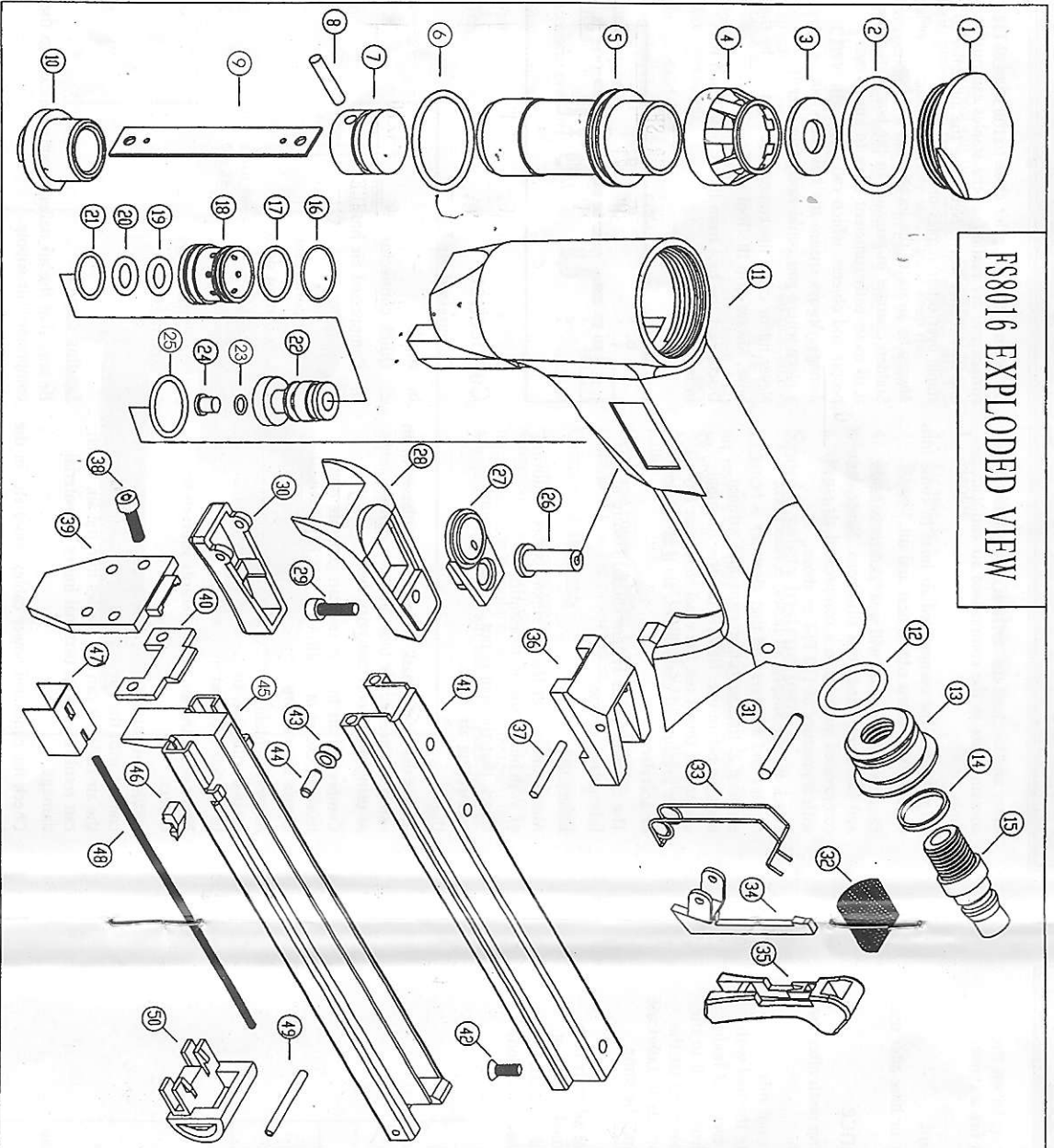


FS8016 EXPLODED VIEW



| Inder No. | DESCRIPTION | Inder No. | DESCRIPTION |
|-----------|--------------------|-----------|---------------|
| 1 | EXHAUST CAP | 27 | VALVE BASE |
| 2 | O-RING | 28 | TRIGGER BASE |
| 3 | UP WASHER | 29 | BOLT (M4X10) |
| 4 | CYLINDER RING | 30 | TRIGGER |
| 5 | CYLINDER | 31 | END CAP PIN |
| 6 | O-RING | 32 | IRON THREAD |
| 7 | BUMPER | 33 | LATCH SPRING |
| 8 | BUMPER PIN | 34 | TRIGGER |
| 9 | DIVER | 35 | TRIGGER SET |
| 10 | WASHER | 36 | SUPPORT |
| 11 | BODY | 37 | PIN |
| 12 | O-RING | 38 | BOLT (M4X10) |
| 13 | END CAP | 39 | COVER PLATE |
| 14 | PLUG WASHER | 40 | COVER PLATE |
| 15 | PLUG | 41 | MAGZINE SEAT |
| 16 | O-RING | 42 | BOLT (M4X10) |
| 17 | O-RING | 43 | WHEEL |
| 18 | TRIGGER BASE | 44 | WHEEL AXES |
| 19 | O-RING | 45 | MAGZINE CAP |
| 20 | O-RING | 46 | LIMITED BLOCK |
| 21 | O-RING | 47 | PUSHER |
| 22 | VALVE BASE | 48 | POSHER SPRING |
| 23 | O-RING | 49 | PIN |
| 24 | TRIGGER VALVE STEN | 50 | LATCH 2 |
| 25 | O-RING | | |
| 26 | VALVE COVER | | |