

PARTS LIST FOR 18GA. 2" BRAD NAILER MODEL F50

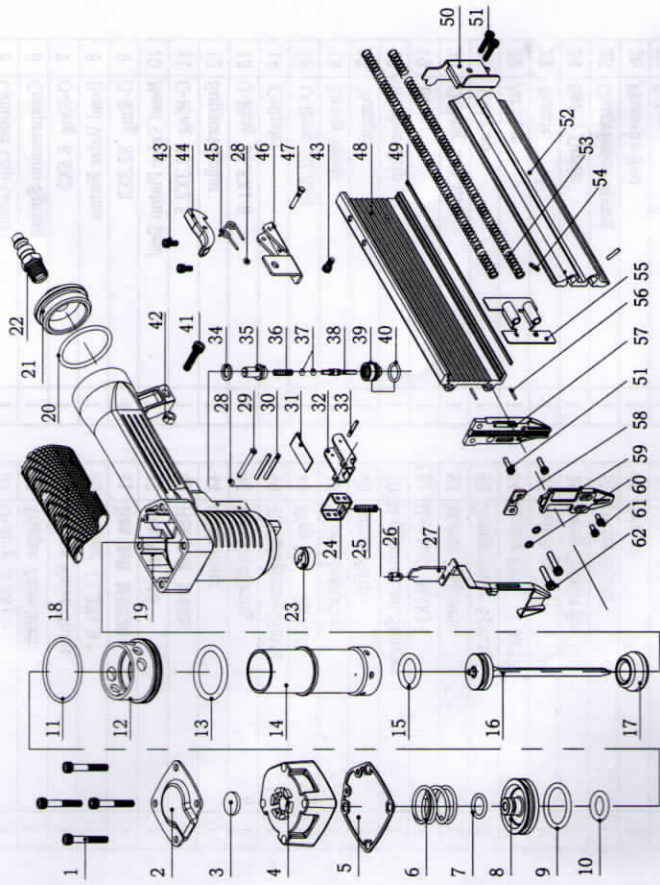
No.	Description	Qty
1	Hex Bolt M5X40	4
2	Exhaust Cover	1
3	Shim	1
4	Cylinder Cap	1
5	Cylinder Cap Gasket	1
6	Compression Spring	1
7	O-Ring 8.5X2	1
8	Head Valve Piston	1
9	O-Ring 32.3X3	1
10	Head Valve Piston Seal	1
11	O-Ring 43.3X2.5	1
12	Support Collar	1
13	O-Ring 31.5X1.8	1
14	Cylinder	1
15	O-Ring 22.3X3	1
16	Driver Blade	1
17	Bumper	1
18	Rubber Grip	1
19	Body	1
20	O-Ring 34X3.5	1
21	End Cap	1
22	Air Plug	1
23	Nozzle	1
24	Safety Guide	1
25	Compression Spring	1
26	Pressure Rod	1
27	Safety	1
28	O-Ring 1.2X1.9	2
29	Step Pin 3X26	1
30	Spring Pin 3X26	2
31	Trigger Plate	1
32	Trigger Body	1
33	Spring Pin 2.5X17	1
34	Seal (12.5-8-1.5)	1
35	Trigger Valve Head	1
36	Compression Spring	1
37	O-Ring 2.2X1.5	2
38	Trigger Valve Stem	1
39	Trigger Valve Guide	1
40	O-Ring 11.2X1.9	1
41	Hex Bolt M5X20	1
42	Hex Nut M5	1
43	Hex Bolt M4X6	3
44	Click Fixer	1
45	Torsion Spring	1
46	Tail Magazine Holder	1
47	Step Pin 3X13.5	1
48	Fixed Magazine	1
49	Inlaid Strip	1
50	Magazine End Stopper	1
51	Hex Bolt M4X14	4
52	Mobile Magazine	1
53	Compression Spring	2
54	Spring Pin 2.5X12	2
55	Nail Pusher	1
56	Spring Cylinder Pin 1.5X15	2
57	Driver Guide	1
58	Spacer	2
59	Driver Guide Cover	1
60	Washer 5	2
61	Hex Bolt M4X10	2
62	Hex Bolt M5X22	2

18GA. 2" BRAD NAILER

MEDIUM DUTY

MODEL: F50

- Replacement Parts List
- Manual de Pièces de Rechange
- Lista de Repuestos



NOTICE

The parts listed and displayed herein this manual are for tool service only. It is not indicated that all of them can be supplied. Technical changes might be made without any prior notification.